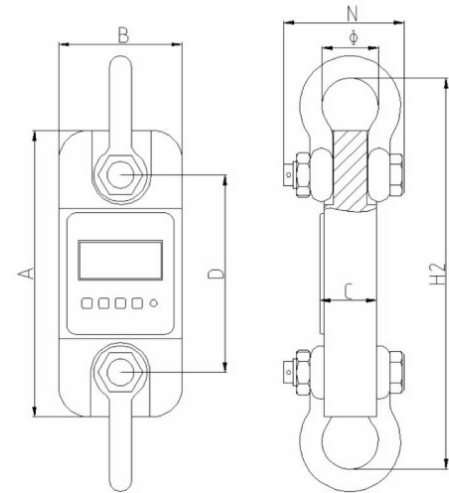




## Digital Dynamometer

Model: DDM (DL)



- ◆ **Body protection:** Aluminum and alloy steel capacities are powder coated.
- ◆ **Accuracy:** 0.05% for 1-50t, 0.1% for above 50t capacity.
- ◆ **Units:** Available in the following measurement reading: kilograms(kg), short Tons(t) pounds(lb), Newton and kilonewton(kN).
- ◆ **Battery:** 3pcs AA size alkaline batteries, 50 hours radio continuous using.
- ◆ **Display:** 25mm(1") 5digits LCD with back light for easy distant viewing.
- ◆ **Shackles:** High tension industrial standard G2130 anchor shackle bows, galvanized finish.
- ◆ **Ultimate Load:** 400% of capacity.
- ◆ **Operation temperature:** -20°C to 50°C.
- ◆ **Gravity regulation:** The acceleration of gravity can be regulated through wireless indicator according to different places value.
- ◆ **Functions:** Zero, tare, Low battery warnings, peak hold, overload warning. User calibration.
- ◆ **Package:** Packed with carry case, easy to bring.

### Wireless Options



## DIMENSIONS AND SPECIFICATIONS

Cap.(kg)	Resolution (kg)	A(mm)	B(mm)	C(mm)	D(mm)	φ(mm)	H(mm)	Unit Weight (kg)	Weight with shackles(kg)	Material
1000	0.5	245	112	37	190	43	335	1.6	3.1	Aluminum
2000	1	260	123	37	195	51	365	2.1	4.6	Aluminum
3000	1	260	123	37	195	51	365	2.1	4.6	Aluminum
5000	2	285	123	57	210	58	405	2.7	6.3	Aluminum
10000	5	320	120	57	230	92	535	10.4	24.8	Alloy Steel
20000	10	375	128	74	260	127	660	17.8	48.6	Alloy Steel
30000	10	420	138	82	280	146	740	25	73	Alloy Steel
50000	20	465	150	104	305	184	930	39	128	Alloy Steel
100000	50	570	190	132	366	229	1230	81	321	Alloy Steel
200000	100	720	265	183	440	280	1362	210	776	Alloy Steel